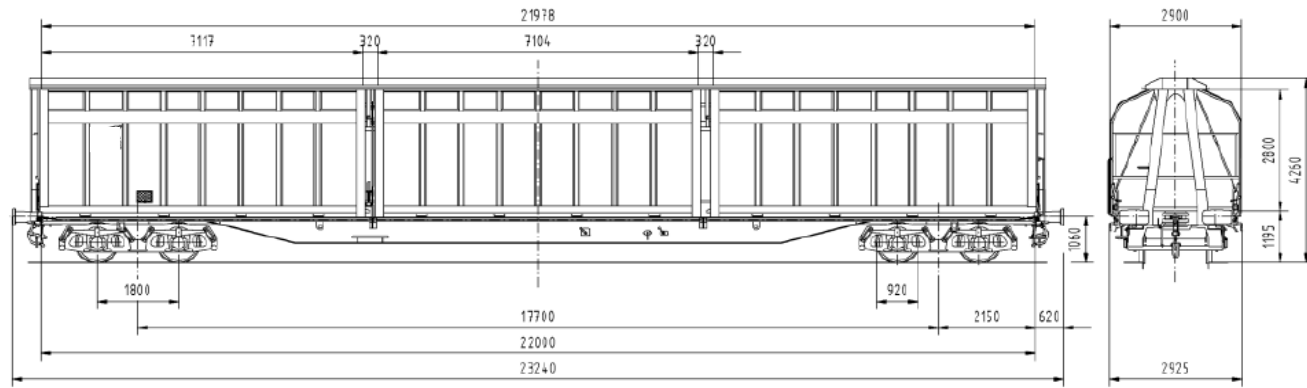


Wagon type: Habis																										
PAYLOAD	type G1	type G2																								
Load limits	<table border="1"> <thead> <tr> <th></th> <th>A</th> <th>B</th> <th>C</th> </tr> </thead> <tbody> <tr> <td>S</td> <td>36,5</td> <td>44,5</td> <td>52,5</td> </tr> <tr> <td>120</td> <td colspan="3">00,0</td> </tr> </tbody> </table>		A	B	C	S	36,5	44,5	52,5	120	00,0			<table border="1"> <thead> <tr> <th></th> <th>A</th> <th>B</th> <th>C</th> </tr> </thead> <tbody> <tr> <td>S</td> <td>35,5</td> <td>43,5</td> <td>51,5</td> </tr> <tr> <td>120</td> <td colspan="3">00,0</td> </tr> </tbody> </table>		A	B	C	S	35,5	43,5	51,5	120	00,0		
	A	B	C																							
S	36,5	44,5	52,5																							
120	00,0																									
	A	B	C																							
S	35,5	43,5	51,5																							
120	00,0																									
Tare weight	27,5t	28,5t																								
DIMENSIONS																										
Length over buffers	23.240mm	23.240mm																								
Distance between bogie centres	1.800mm	1.800mm																								
Loading capacity	163m3	180m3																								
Load Area	61,0m2	61,0m2																								
Loading length	21.978mm	21.980mm																								
Loading width	2.770/2.760mm	2.770mm																								
Loading height	2.800mm	3.100mm																								
Height of floor	1.195mm	1.200mm																								
Door opening width	ca. 3 x 7.100mm																									
TECHNICAL DATA																										
Bogie	LH 77.2 VR (and other)	WU 83.5 VR (BA 577)																								
Handbrake	no	no																								
Wheelsets	BA 080	BA 080																								
Axle load	20,0t	20,0t																								
Brake	KE-GP 16"	KE-GP 16"																								
OPERATION																										
Gauge	RIV/UIC 430-2 G1	UIC 505 G2																								
Smallest navigable track curve (single car)	35m	60m																								
EQUIPMENT																										
	16 fastening rings at each floor side	12 fastening rings at each floor side																								
	4 fixed fastening bars at each front wall	2 fixed fastening bars at each front wall																								
	35mm Multiplex plywood floor	35mm Multiplex plywood floor																								
LOAD	42 pallets 1.000x1.200/54 Euro Pallets 800 x 1.200	42 pallets 1.000x1.200/54 Euro Pallets 800 x 1.200																								



ZUG RENTALS

type G1



type G2

